



## Model BE 30-280 Tissue Digester – Alkaline



- 280 lb per cycle loading capacity
- Siemens or AB PLC control system
- 316 SS welded process piping with industrial grade valves and components
- 100% non-proprietary components
- UL and CSA listed components  
CE also available
- UL listed control system

Tissue Digester - Alkaline Systems are BioSAFE Engineering's state of the art, environmentally friendly, technology for the sterilization and disposal of bio-hazardous waste. Our time tested and validated Alkaline Hydrolysis (AH) process ensures the highest Sterility Assurance Level of any bio-waste treatment system.

This technology is supported by US and international patents with applications in life sciences, agriculture, healthcare, and bio-defense fields. Our AH systems are the leading alternative to incineration for anatomic, biological, infectious, pathologic, and rendering wastes.

BioSAFE Engineering's Tissue Digesters are available with processing capacities of 11 lbs to 10,000 lbs per cycle.

### **BioSAFE provides project support:**

- From conception to decommissioning
- Design
- Installation
- Validation
- Training
- Preventative Maintenance

### **Optional Upgrades:**

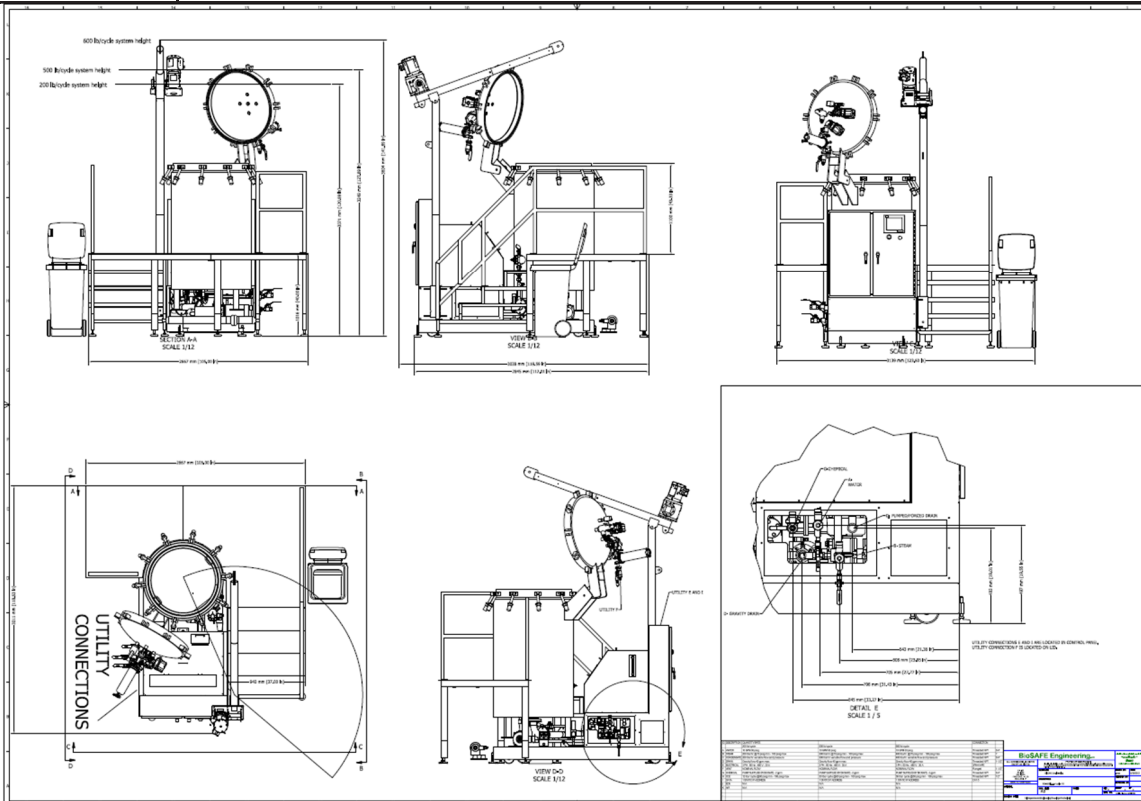
- BSL-3 and BSL-4 compliant applications
- Processing chamber configuration
- Heat recovery
- Water reclamation
- Steam boiler
- Electric heating



**A Clean Technology Company**

## MODEL BE 30-280 Tissue Digester - Capacity: 280 lbs per cycle

Operating Temp	250 °F - 302 °F (121 °C - 150 °C)
Vessel Size	30" Internal diameter
Control Cabinet	Siemens or AB UL / CUL/ CE
Vessel Characteristics	316 SS wetted parts with manual locking lid, hydraulically locking and opening lid option available
Heating Method	Steam Jacket / Optional Electric heating
Safety Features	Safety relief valves, secondary safety PLC, and ergonomic design for maintenance and loading
Cycle Time	6-8 hrs
Lid Type(s)	Manual or Hydraulic
Chemical Type	KOH or NaOH



CONNECTION	SIZE	REQUIREMENT
Steam	1" NPT/ DN-25 BSPT	90 PSI Min 210 lb/hr / 6 bar Min 95 kg/hr
Condensate	3/4" NPT / DN-20 BSPT	210 lb/hr / 95 kg/hr
Water	3/4" NPT / DN-20 BSPT	40 PSI 10 GPM Min / 2.5 bar 36 LPM Min
Drain	1-1/2" NPT / DN-40 BSPT	
Compressed Air	N/A	N/A
Electrical	480 V (other voltages available)	25 KW
Chemical	1/2" NPT / DN-10 BSPT	from chemical tank or tote
Ethernet	Open Internet connection	CAT 5E Minimum
Vent	To room	HEPA filter optional
CO2	1/2" NPT / DN-20 BSPT	Optional for pH adjustment

**A Clean Technology Company**

5750 W 80th Street • Indianapolis, IN • 46278 • 317-858-8099 • [www.biosafeeng.com](http://www.biosafeeng.com)